

# SLM-771

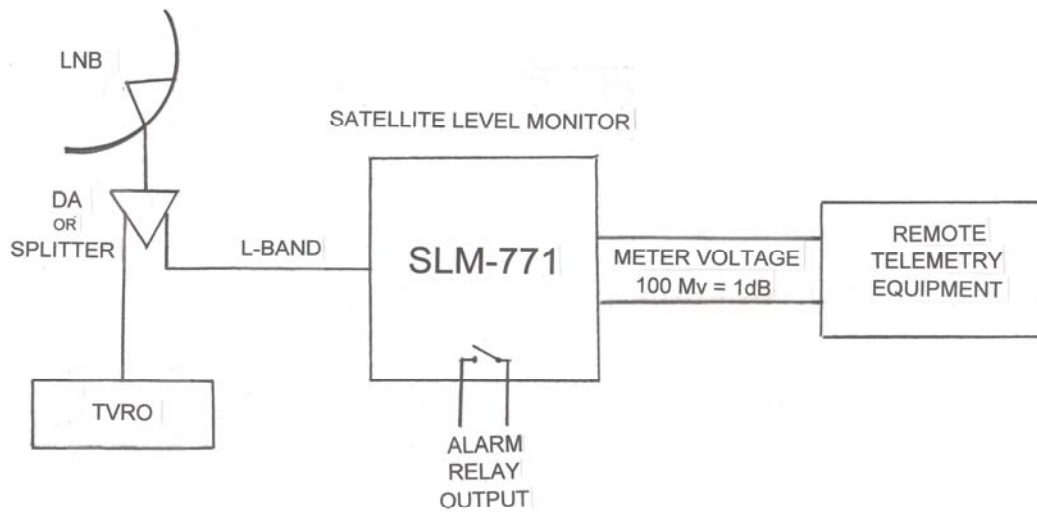


## L-BAND SATELLITE LEVEL MONITOR

The SLM-771 is an L-Band Satellite Level Monitor designed to detect measure and report the receiving level of any RF signal from 5MHz up to 2.5GHz. Use it for early warning of satellite dish and LNB signal degradation due to snow loading, bug & bird intrusions, dish misalignment due to wind or movement, and any increase in LNB loss for whatever reason. It will alert you to the signal reduction before a system failure occurs.

It has both visual and telemetry voltage outputs calibrated in dB steps and an audible alarm with a relay contact for activation of external alarms or other equipment.

The front panel LED indicators are calibrated in 1dB steps for accurate loss detection. A front panel control is used to set up the monitor and alarm level. The meter output has a voltage that changes 100mV per 1 dB and is field adjustable for offset to match your telemetry transmission equipment. +/- 0.0 to 10 Volts is available at the meter output. The unit is fully RF shielded and can be mounted in the front or rear of your rack.



INSTALLATION BLOCK DIAGRAM

## RF INPUT

Bandwidth  
Level  
Input Impedance  
Connector

## SPECIFICATION

5 MHz to 2.5 GHz  
-55 to +20 dBm  
75 Ohm  
Female F Type

## OUTPUTS

Telemetry Voltage Range  
Telemetry Voltage Steps  
Telemetry Voltage Impedance  
Telemetry Voltage Calibration  
Relay Output N.O. / N.C.  
Audible Alarm On / Off

+/- 10.0 V (Adjustable Zero)  
100 mV per dB  
600 Ohms  
Field Adjustable  
Field Programmable  
Field Programmable

## FRONT PANEL

Display  
Display Steps  
Relay Alarm Set Range

Three LED Red, Yellow, Green  
1 dB per step  
-55 to +20 dBm

## MECHANICAL

Power requirement  
Current requirement  
Connectors (RF)  
Connectors (Power and Control)  
Enclosure  
Mounting

24 VAC Power Cube (included)  
110 mA  
F Type Female  
Plug-in Screw Terminal (6 position)  
3.5 x 4.5 x 1.5 Die Cast Aluminum  
Side Rack Mounting Bracket